

Uniclass L7522	EPIC L22
CI/SfB (56.84)	X



Wireless Heating Systems

KICK SPACE HEATER

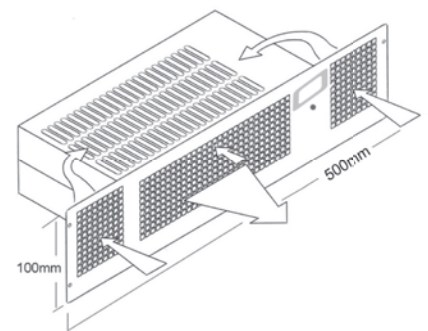
Fan Assisted Heater with Wireless Time and Temperature Control



This heater can only be used when connected to a WCT100/TX wireless programmable timer. Each WCT100/TX can control any number of heaters. The heater has an indicator light positioned on the fascia. The light may be:

- Green when no heat is needed
- Yellow when some heat is needed to maintain the room temperature
- Red when the heater is on full power
- Flashing Red when the heater has overheated and the Electronic Safety Control has switched the heater off.

Please refer to the WCT100/TX user instructions for full operational details.



**A simple to install wireless controlled heating system for the whole home and commercial applications.
Perfect for apartments, public areas, offices, showrooms, shops, nurseries, schools, retirement homes and healthcare!**

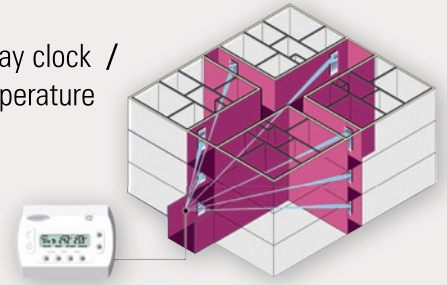
RADIATOR (RECEIVER) KEY FEATURES:

Simply wire the heater to a fuse spur / Hidden wiring / No need to manually switch heaters "on" or "off"

WIRELESS CONTROLLER (TRANSMITTER) KEY FEATURES:

Keylock mode / Simple to Programme / Up to 6 temperature settings per day / 7 day clock / Advance mode / Economy mode / Holiday mode / Boost Mode / Inbuilt room temperature sensor / Frost protection / Powered by 2 x 1.5v Alkaline batteries

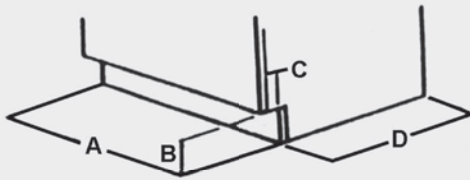
The TX control unit sends a 433MHz radio signal to each "registered" heater within a radius of 30 metres. Each RX panel heater has an inbuilt receiver designed to respond to a signal from the WCT 100/RX.



SPECIFICATION:

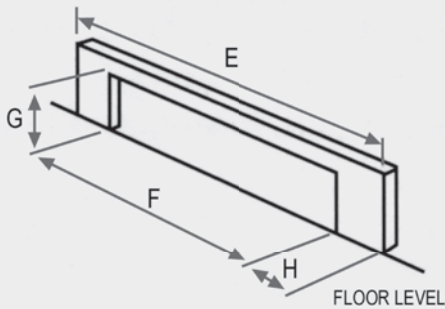
LINE REF	CODE	DIMENSIONS (W X H X D)	ELEMENT (WATTS)	OUTPUT (WATTS)	OUTPUT (BTU'S)
Brushed Stainless Steel					
18.1	KS 2000/SS/RX	360 x 90 x 260	2000	2000	6824

DIAGRAM: DIMENSIONS



Minimum Cupboard Size

A	500mm	- Width
B	100mm (Mini)	- Plinth Height
C	75mm (Maxi)	- Base Shelf Overhang
D	500mm	- Depth



Mounting Slot

E	500
F	456
G	95
H	22

Sharrocks Street, Wolverhampton WV1 3RP

Tel: 01902 457575 Fax: 01902 457797 Email: sales@ecolec.co.uk Website: www.ecolec.co.uk